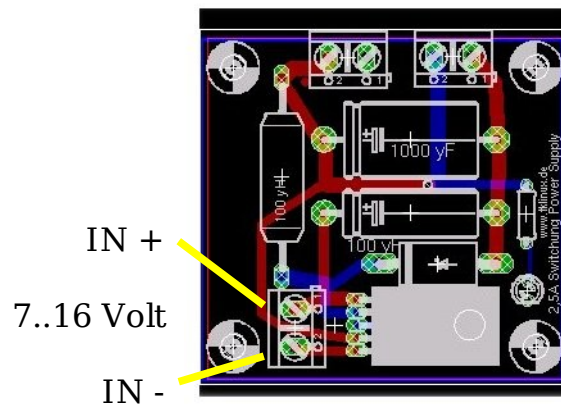


5 Volt switching power supply for the boat

5 Volt out

+ - + -



The board has 6 screw terminals.
2 terminal for 7..16 Volt input
4 terminals for regulated 5 Volt output.

The board dimensions are 49mm x 47mm. It has 4 holes to mount it securely.

Maximum input voltage : 25 Volt
Recomended input Voltage : 7..16 Volt
Maximum output current : 2.5 A
Recomended output current : 0..1.5 A

We used this this power supply at an input voltage of 14.5 volt and a load of 1. Amps. It get's a little warmer than handwarm.

1.5 Amps is about the maximum operating load we recommend.
It's no problem to draw 2.5 A - but with 2.5 A even the switching regulator get's hot. For a short period of time (a minute or two) it can easily provide 2.5 A.
But for standard operation we recommend to use not more than 1.5 A.

The regulator itself is protected against over temperature. When the temperature get's too high, it will reduce the current so that the regulator will not get damaged.

Frank Wallenwein
www.gadgetPool.de